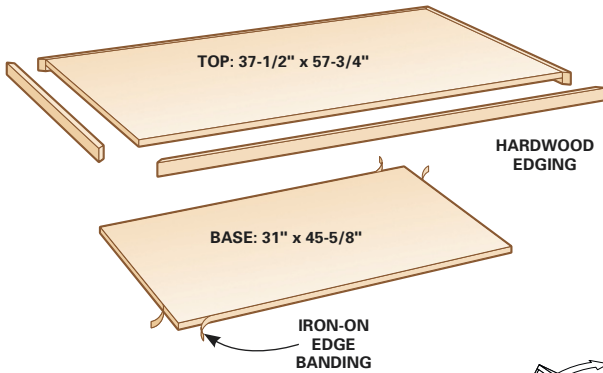


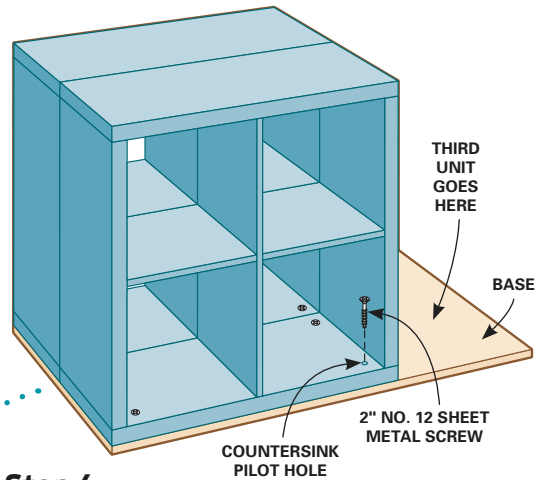
## Step 1

### Make the top and base



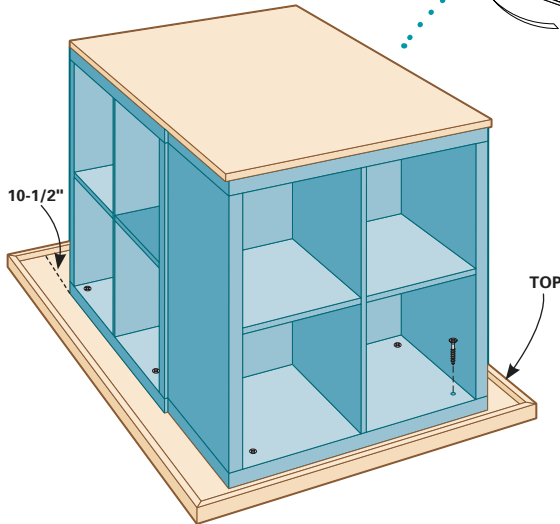
## Step 2

### Fasten units to base



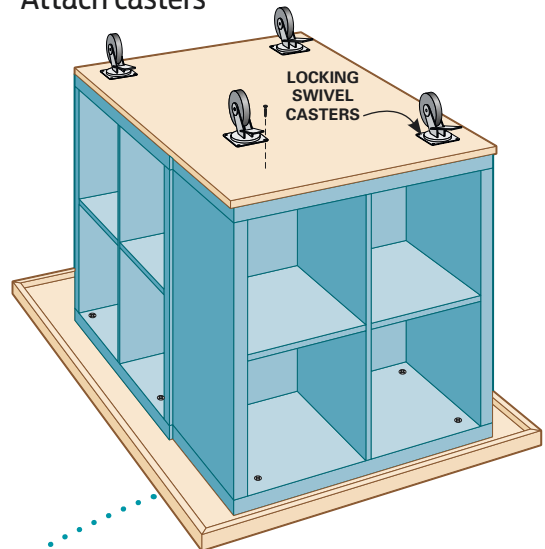
## Step 3

### Fasten top



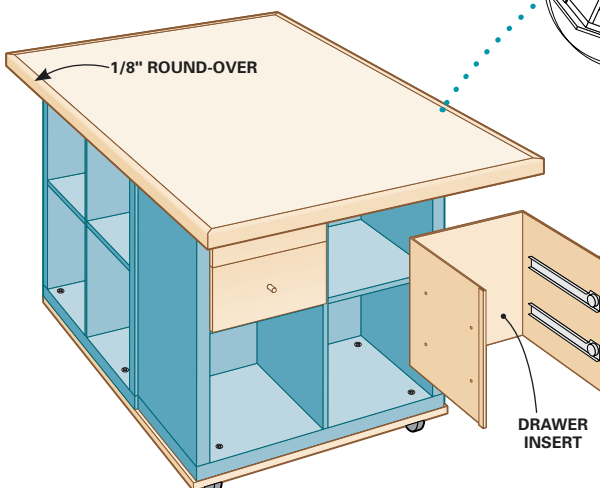
## Step 4

### Attach casters



## Step 5

### Round edges and install drawers



## Materials List

ITEM	QTY.
IKEA Kallax Shelving Unit No. 202.794.59	3
IKEA Kallax Insert with Two Drawers No. 702.866.50	2
4' x 8' x 3/4" birch plywood	2
Birch iron-on edge banding	25'
3/4" x 1-1/2" birch or maple solid wood	20'
3" locking swivel casters	4
No. 12 x 2" flat-head sheet metal screws	24
Polyurethane, wood glue	